

INSTALLATION INSTRUCTIONS

HKD Connection funnel



HKD Connection funnel

Dear Customer,

Thank you for choosing a quality product from our range.

Please read this message and the included installation instructions in full before installing or processing our products and keep both in a safe place after installation.

Safety instructions:

- Our products may only be installed by persons with the necessary specialist knowledge.
- For your own protection and the protection of third parties, the work area and any necessary pipe trenches must be properly constructed and secured in accordance with the applicable regulations.
- When installing our sealing and fire protection systems, the recognised rules of technology, the relevant regulations of the employers' liability insurance associations, the VDE regulations and the applicable safety and accident regulations must be observed. Parts of the body may be crushed or other serious injuries may occur when tensioning or fixing the products in place.
- The safety data sheets must be observed.
- Check that the delivered product is complete (the scope of delivery is listed separately in the installation instructions) and check all individual parts for any damage. Only undamaged parts may be installed.
- Check that the product is suitable for its intended use using the installation instructions. If there are any particular demands,

please clarify the use of the product with us in advance. Request our checklists for this purpose or download them from www.doyma.com.

Any liability on our part is excluded for misuse!

- Finally, please observe the instructions for the tools and equipment required for installation.

Industrial property rights:

- Our industrial property rights and those of third parties must be observed.

Disposal:

- Please observe the applicable regulations when disposing of components, accessories and packaging.

Terms and conditions of sale:

- The current version of our terms and conditions of sale and delivery shall prevail.



HKD Connection funnel

Intended purpose

Connection funnel with integrated impact-protection insert for concreting in the floor slab. Suitable for waterproof floor slabs (white tank), e.g. waterproof concrete with pressing or non-pressing water. The connection funnel is used to hold a KG pipe (not included in scope of delivery).

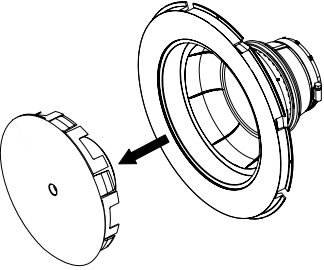
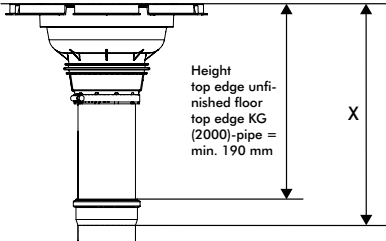
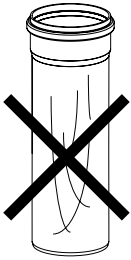
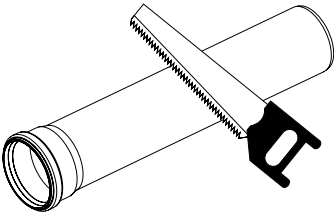
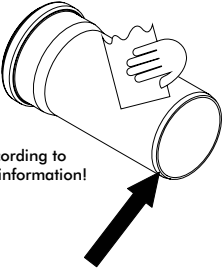
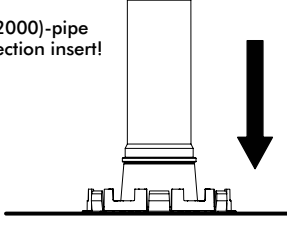
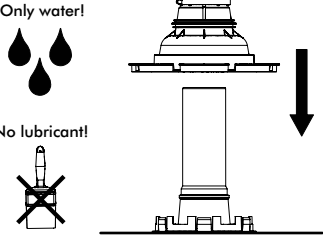
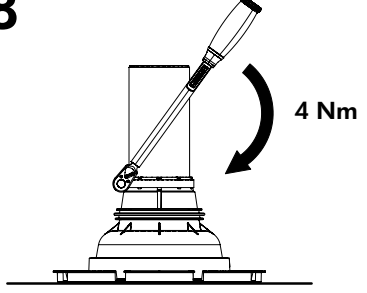
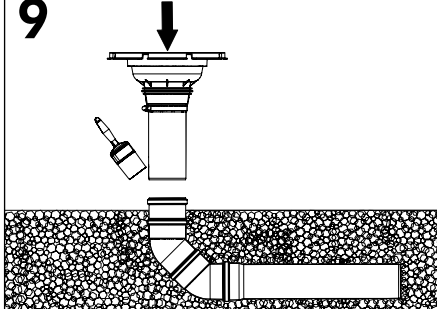
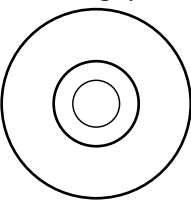
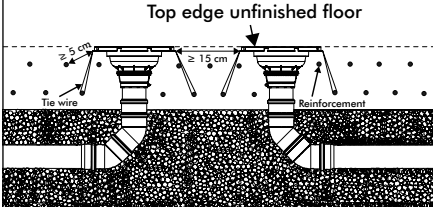
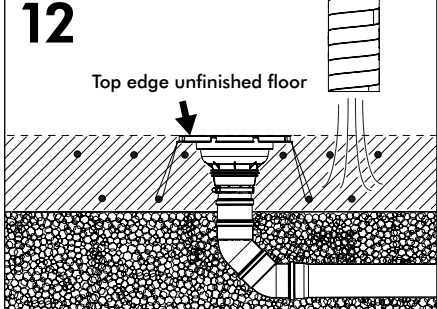
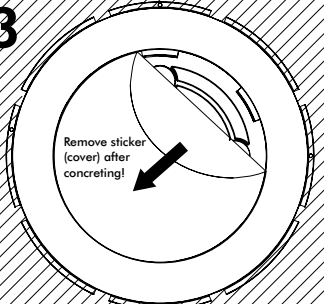
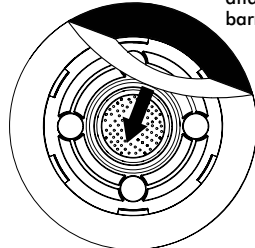
Please note

The processing notes for installing the connection funnel can be found on the following page.

Scope of delivery

- Connection funnel
- Impact-protection insert
- Tightening strap

Installation steps

<p>1</p> 	<p>2</p> <p>Top edge unfinished floor</p>  <p>Height top edge unfinished floor top edge KG (2000)-pipe = min. 190 mm</p>	<p>3</p> <p>Do not use any defective material!</p> 
<p>4</p> <p>Length KG (2000)-pipe = $X - 90$ mm</p> 	<p>5</p> <p>Clean!</p> <p>Create chamfer according to pipe manufacturer information!</p> 	<p>6</p> <p>Attach KG (2000)-pipe to step protection insert!</p> 
<p>7</p> <p>Only water!</p> <p>No lubricant!</p> 	<p>8</p> <p>4 Nm</p> 	<p>9</p> 
<p>10</p> <p>Align!</p> 	<p>11</p> <p>Top edge unfinished floor</p>  <p>≥ 5 cm</p> <p>≥ 15 cm</p> <p>Tie wires</p> <p>Reinforcement</p>	<p>12</p> <p>Top edge unfinished floor</p> 
<p>13</p> <p>Remove sticker (cover) after concreting!</p> 	<p>14</p> <p>Remove the sticker (edge) only before attaching the vapor barrier!</p> 	



Waterproof



Safe to step on



Radonproof

DOYMA products are continuously being further developed. Technical changes will be made without prior notice.
More information at www.doyma.de

DOYMA GmbH & Co

SEALING SYSTEMS
FIRE PROTECTION SYSTEMS

Industriestr. 43-57
28876 Oyten

Phone: 0 42 07/91 66-300
Fax: 0 42 07/91 66-199

www.doyma.de
info@doyma.de

