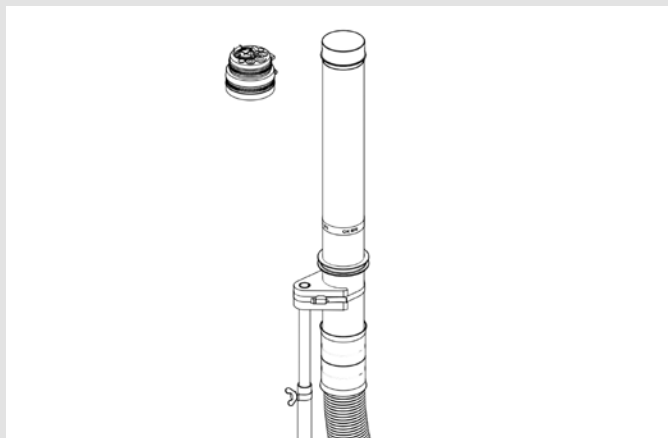


INSTALLATION NOTES

Quadro-Sicura®

HOUSE LEAD OUT

- Quadro-Sicura® O.Con 1 for buildings without basements



Quadro-Sicura® O.Con 1

Dear Customer,

Thank you for choosing a quality product from our range.

Please read this message and the included installation instructions in full before installing or processing our products and keep both in a safe place after installation.

Safety instructions:

- Our products may only be installed by persons with the necessary specialist knowledge.
- For your own protection and the protection of third parties, the work area and any necessary pipe trenches must be properly constructed and secured in accordance with the applicable regulations.
- When installing our sealing and fire protection systems, the recognised rules of technology, the relevant regulations of the employers' liability insurance associations, the VDE regulations and the applicable safety and accident regulations must be observed. Parts of the body may be crushed or other serious injuries may occur when tensioning or fixing the products in place.
- The safety data sheets must be observed.
- Check that the delivered product is complete (the scope of delivery is listed separately in the installation instructions) and check all individual parts for any damage. Only undamaged parts may be installed.
- Check that the product is suitable for its intended use using the installation instructions. If there are any particular demands,

please clarify the use of the product with us in advance. Request our checklists for this purpose or download them from www.doyma.com.

Any liability on our part is excluded for misuse!

- Finally, please observe the instructions for the tools and equipment required for installation.

Industrial property rights:

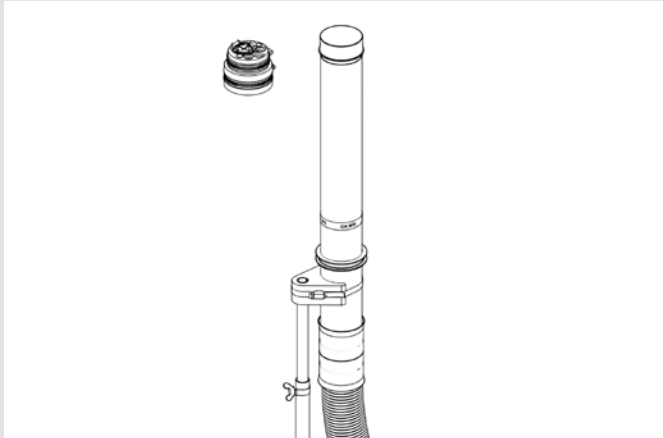
- Our industrial property rights and those of third parties must be observed.

Disposal:

- Please observe the applicable regulations when disposing of components, accessories and packaging.

Terms and conditions of sale:

- The current version of our terms and conditions of sale and delivery shall prevail.

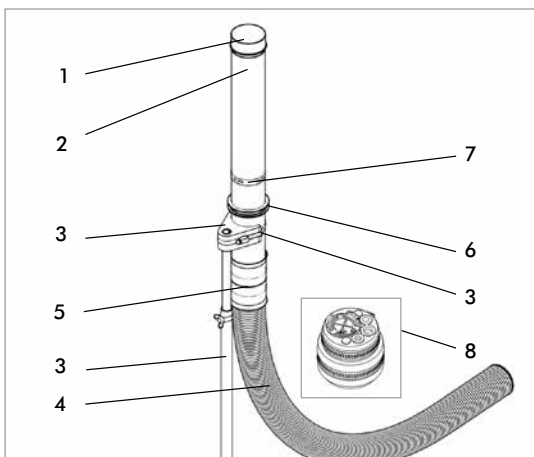


Quadro-Sicura® O.Con 1

General information and intended use

Single-compartment house lead-in as a round version. Use in unfinished structures to be made from waterproof concrete. Designed for pipes and cables (e.g. water or electricity) together with telecommunications or other data lines.

Quadro-Sicura® O.Con 1



Description of Quadro-Sicura® O.Con. 1

- 1 Protective cap
- 2 Cast-in part
- 3 Height-adjustable set-up device with ground spike, mounting bracket, clamp sleeve and impact screw (accessories)
- 4 Flexible jacket pipe DN 75 (accessories)
- 5 Double sleeve including 1 profile seal
- 6 Water-resistant flange
- 7 "OK RFB" marking, top edge of unfinished floor
- 8 Quadro-Sicura® X-LWL end plug

Scope of delivery

The scope of delivery of the Quadro-Secura® O.Con 1 includes:

- 1 cast-in part including double sleeve, 1 profile sealing ring and protective cap
- 1 Quadro-Secura® X-LWL end plug including clamps

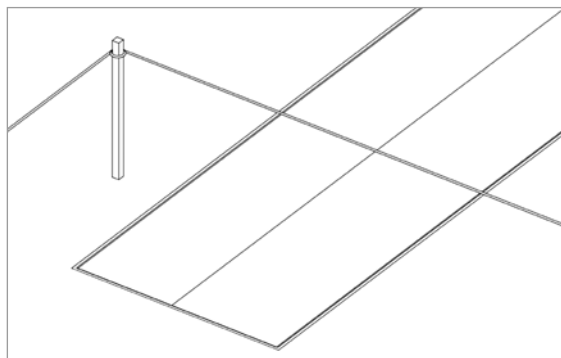
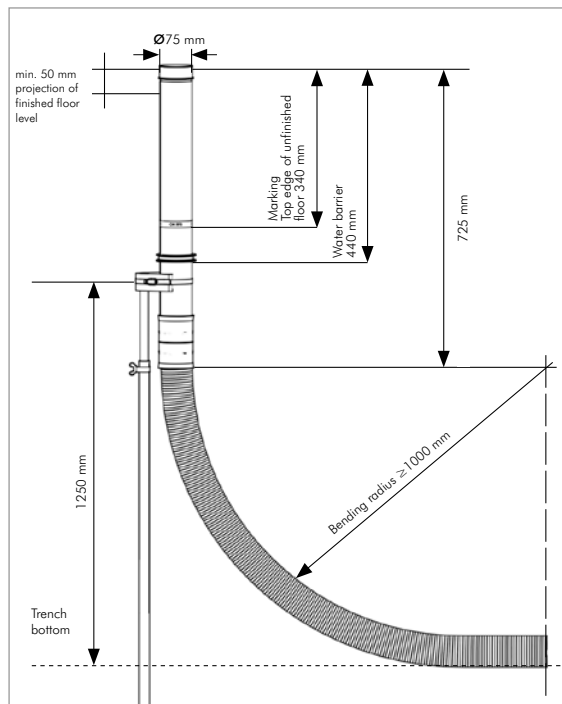
Accessories (not included in the scope of delivery):

- 1 bend-resistant jacket pipe DN 75
- 1 set-up device with ground spike

Required tools and equipment

Standard tools and auxiliary equipment are required for the proper installation of the Quadro-Secura® O.Con 1 single-house lead-in.

Installation situation

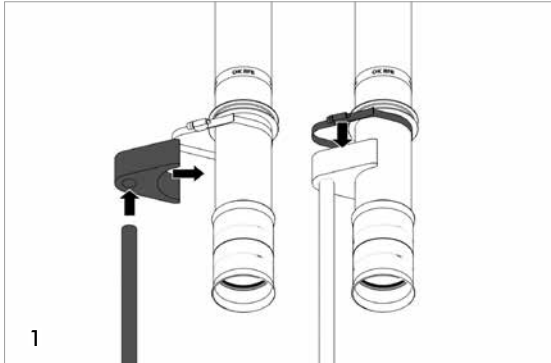


Preparation

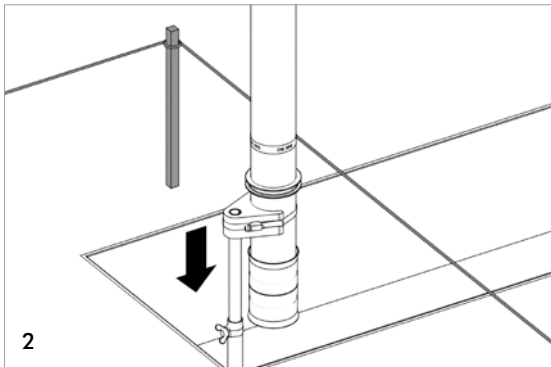
To position the Quadro-Secura® O.Con 1 precisely, a batter board must be prepared on site. Ideally, the line also marks the top edge of the unfinished floor as well as the inside of the wall.

Installation steps

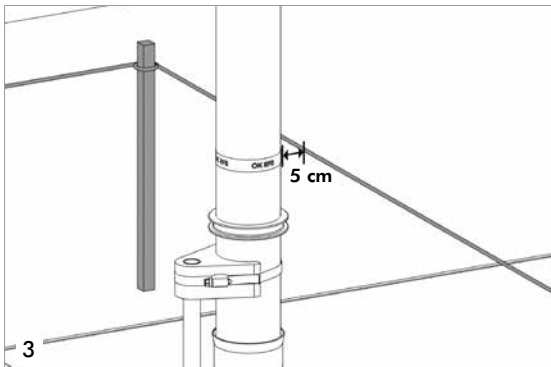
Installation with set-up device (accessory)



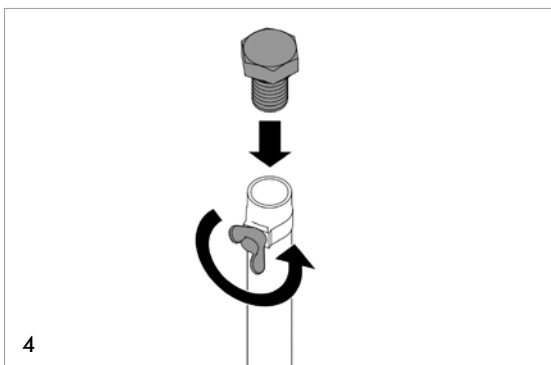
Slide the set-up device flush into the bore of the spacer. The spacer is placed below the water barrier with a minimum distance of 30 mm. Slide the clamp over the spacer, place it centrally and tighten with max. 3 Nm.



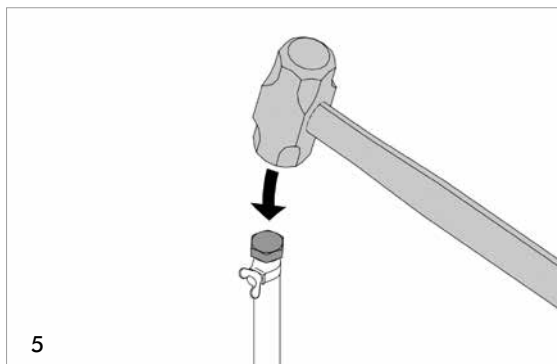
Align and position the cast-in part with the set-up device on the batter board. Using a spirit level, align the cast-in part horizontally and press it into the ground. The exact height does not.



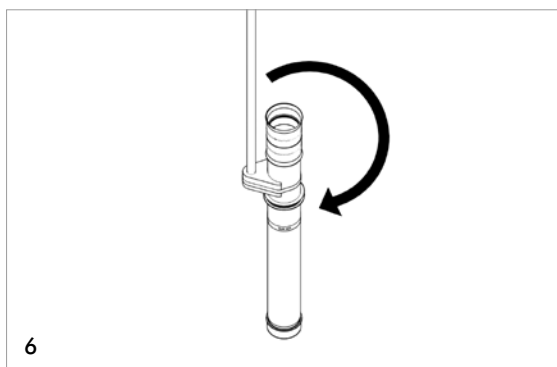
- Align Quadro-Sicura® O.Con 1 (unfinished component) with the wall.
- Distance from interior wall surface including plaster (finished wall) to exterior base surface: at least 5 cm.
- The base must not be covered by the interior walls (shell construction wall + plaster) at a later date.
- The position of the Quadro-Sicura® O.Con 1 (cast-in part) must always be coordinated with the suppliers!
- During the filling process, check the distance to the batter board and the vertical position of the part and adjust if necessary.



Then loosen the wing screw, hold the ground spike and pull off Quadro-Sicura® O.Con 1 (cast-in part). Insert the supplied impact screw into the ground spike and fix it in place with the wing screw



Beat the ground spike **approx. 300 mm** into the ground or until it is sufficiently fixed in place. Remove the impact screw.

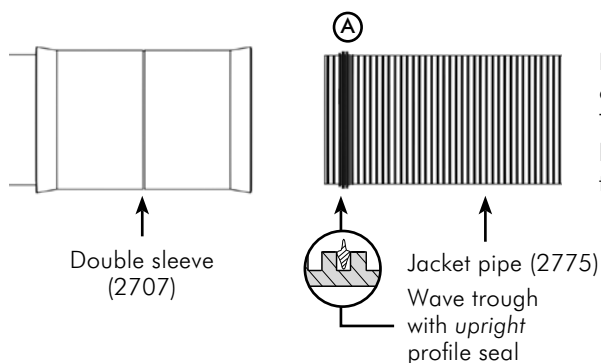


Place the cast-in part upside down on the floor.

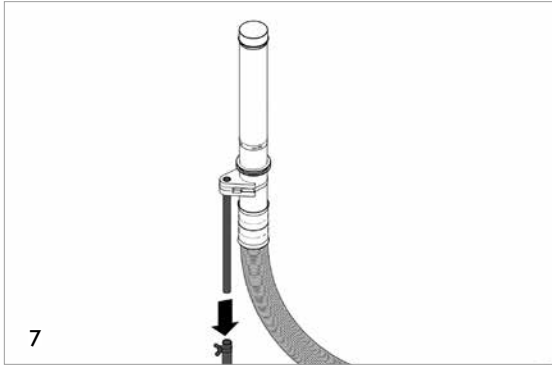
Connecting jacket pipes

Note: No damage to the jacket pipe is permitted in the area of the seal (socket or jacket pipe end plug area). The jacket pipes must be cut at right angles.

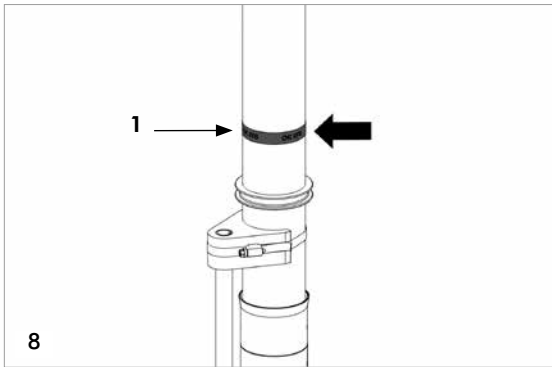
Connection of flexible jacket pipe (2775) DN 75



Place the profile seal **A** in the 2nd wave trough of the jacket pipe.
Then grease the profile seals (use DOYMA 2780 lubricant) and insert the jacket pipe (2775) into the double sleeve as far as it will go.

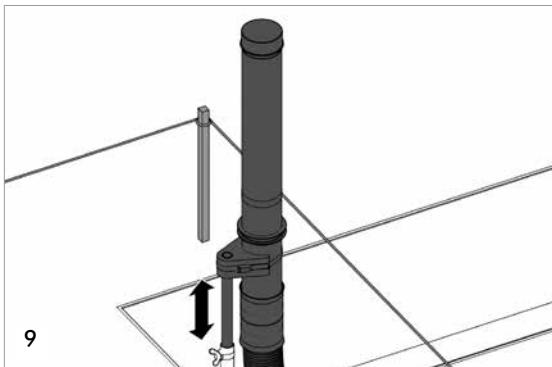


Turn the cast-in part with the jacket pipe over and insert it onto the ground spike that has already been driven in



On the cast-in part of the Quadro-Secura® O.Con 1 there is an “Top edge of unfinished floor” sign/markings.

“Top edge of unfinished floor” sticker

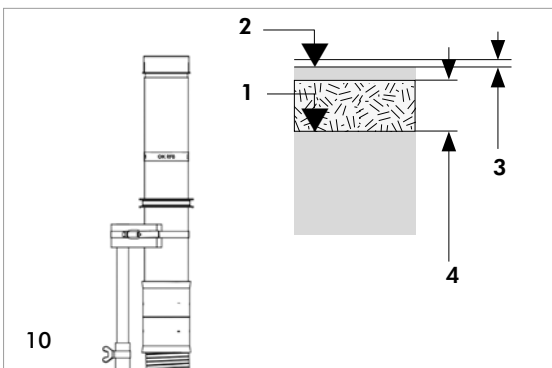


Using the “Upper edge of unfinished floor” marking (see sticker on the cast-in part), align the cast-in part of the Quadro-Secura® O.Con 1 with the height of the batter board (unfinished floor level).

After adjusting the height, secure the wing screw, thus securing the alignment.



The set-up device (accessory) is only a temporary fixture. Only the intermediate filling of sand to the level of the granular sub-base provides a stable-surface positioning of the floor slab feed-through.

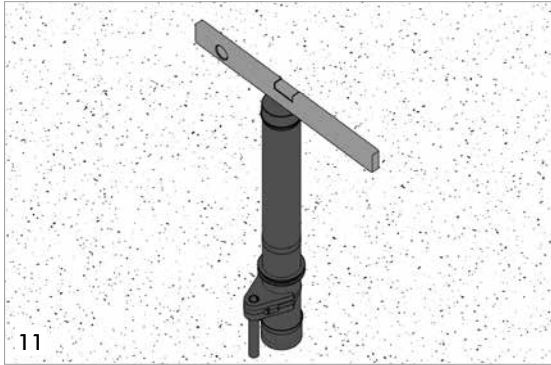


Legend for Fig.: 10

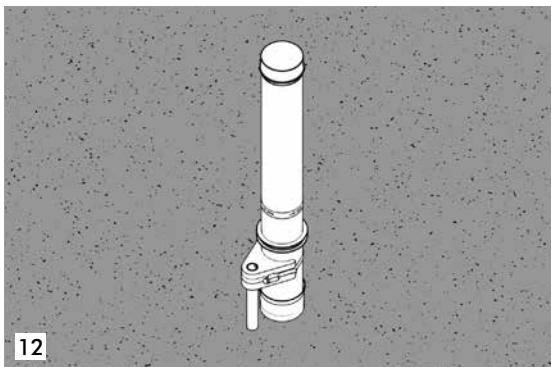
- 1 Unfinished floor
- 2 Finished floor
- 3 Projection min. 50 mm
- 4 Insulation



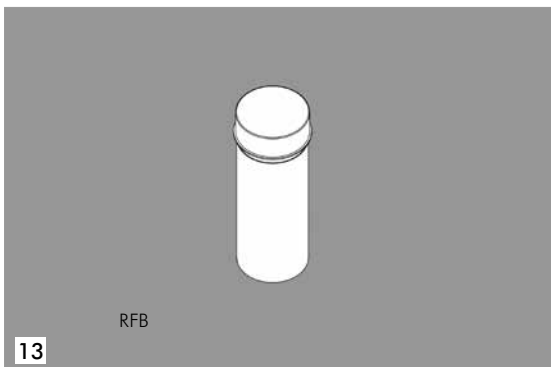
The projection of min. 50 mm is required for installing the end plug.



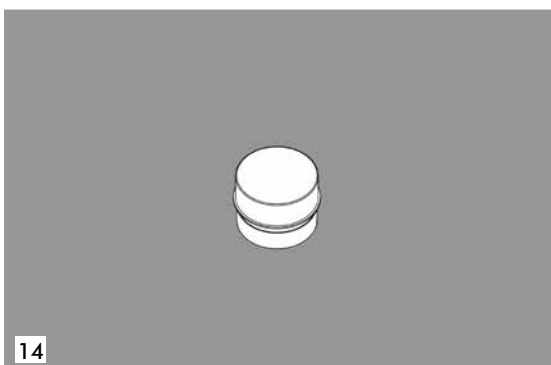
After the height of the floor slab feed-through has been fixed and during filling with sand, a spirit level can be used for positional alignment. If necessary, check the distance from the wall again (see Fig.: 3).



Positional and stable floor slab feed-through mounted vertically, aligned with the batter board, filled with sand and prepared for concreting



If correctly positioned, the cast-in part is **340 mm** above the unfinished floor (**RFB**) after concreting. It is possible to shorten the cast-in part to the later floor structure or the finished floor level at a later stage.



The part is fully concreted and protrudes at least 50 mm from the finished floor.



Installation of the end plug is described in separate installation instructions.



The end plug is installed.

Doyma products are always subject to further development. Technical modifications are made without prior notice. DOYMA allows a 25 years guarantee. **For more information see www.doyma.com**

DOYMA GmbH & Co

SEALING SYSTEMS

FIRE PROTECTION SYSTEMS

Industriestr. 43-57
28876 Oyten

Phone: + 49 (0) 42 07/91 66-300
Fax: + 49 (0) 42 07/91 66-199

www.doyma.de
info@doyma.de

25
years
guarantee

