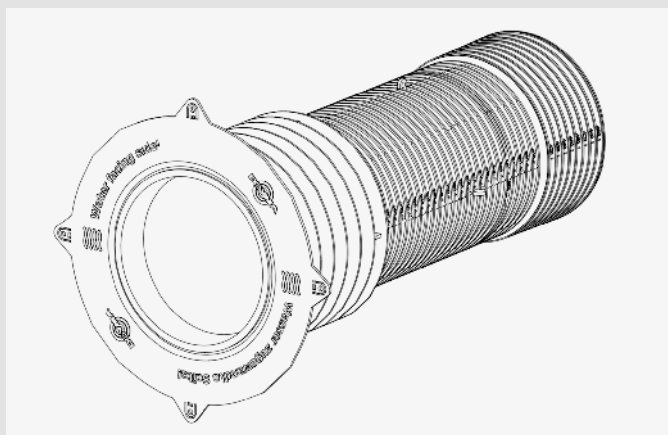


INSTALLATION INSTRUCTIONS

Curaflex Nova® pipe sleeve

- Curaflex Nova® KFR



Curaflex Nova® KFR

Dear Customer,

Thank you for choosing a quality product from our range.

Please read this message and the included installation instructions in full before installing or processing our products and keep both in a safe place after installation.

Safety instructions:

- Our products may only be installed by persons with the necessary specialist knowledge.
- For your own protection and the protection of third parties, the work area and any necessary pipe trenches must be properly constructed and secured in accordance with the applicable regulations.
- When installing our sealing and fire protection systems, the recognised rules of technology, the relevant regulations of the employers' liability insurance associations, the VDE regulations and the applicable safety and accident regulations must be observed. Parts of the body may be crushed or other serious injuries may occur when tensioning or fixing the products in place.
- The safety data sheets must be observed.
- Check that the delivered product is complete (the scope of delivery is listed separately in the installation instructions) and check all individual parts for any damage. Only undamaged parts may be installed.
- Check that the product is suitable for its intended use using the installation instructions. If there are any particular demands,

please clarify the use of the product with us in advance. Request our checklists for this purpose or download them from www.doyma.com.

Any liability on our part is excluded for misuse!

- Finally, please observe the instructions for the tools and equipment required for installation.

Industrial property rights:

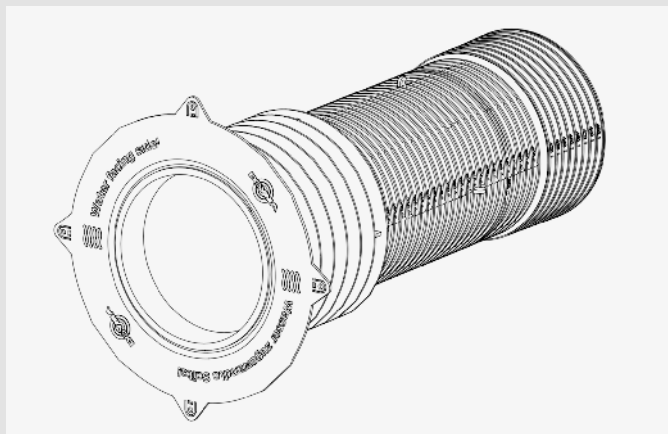
- Our industrial property rights and those of third parties must be observed.

Disposal:

- Please observe the applicable regulations when disposing of components, accessories and packaging.

Terms and conditions of sale:

- The current version of our terms and conditions of sale and delivery shall prevail.



Curaflex Nova® KFR

Intended use

Pipe sleeve with bonding flange for installation in wall, ceiling and floor panel. Suitable for waterproof walls (white tank), e.g. waterproof concrete with pressing or non-pressing water.

Suitable for sealing membranes made of:

- Plastic-modified bitumen thick coating (PMBC/KMB) for pressing water up to 3 m water column (W2.1-E according to DIN 18533)
- Flexible polymer-modified thick coatings (FPD) for pressing water up to 3 m water column (W2.1-E)
- Crack-bridging mineral sealing slurries (MDS) in case of soil moisture and non-pressing water (W1-E according to DIN 18533)
- Liquid plastics (FLK) for non-pressing water on earth-covered ceilings (W3-E according to DIN 18533)

The pipe sleeve is used to hold a gasket insert (not included in scope of delivery)

Please note:

- The processing notes for installing the pipe sleeve can be found on the following page. To seal the annular space between pipe/cable and pipe sleeve, you will need a sealing element. We recommend installing a Curaflex® or HKD DOMO gasket insert. The gasket insert must not be fitted near the sleeve. When extending components with a KG pipe, the gasket insert must be fitted in the Curaflex Nova® KFR.
- Single- or multicompartment building services must not be installed in the socket area of the pipe sleeve. In these sleeve, the Curaflex Nova® KFR may only be used in a shortened version (without socket) up to a length of max. 410 mm.
- Visual inspection of pipe sleeves for defects or damage upon de-

livery and before installation. The pipe sleeves must be properly stored and protected against damage.

- The storage temperature must be between 5 and 30° C; avoid direct sunlight in all cases.
- If the pipe has already been laid, the pipe sleeve must be centred around the pipe and secured in place before embedding in concrete. During embedding, lay pipe sleeves with a clearance of at least 10 cm from each other where possible, so that compacting the concrete/grout is easy; the distance of 10 cm from the pipe sleeve to the respective penetration limits must be maintained, even when installing pipe sleeves in existing walls.

Attention: If a gasket insert is installed in a Curaflex Nova® KFR “not yet embedded in concrete,” it should only be slightly pre-tensioned. There is a risk of damaging the pipe sleeve. The bonding flange must be clean, free of dust and grease. Distances for flange constructions in accordance with DIN 18195/DIN 18533 must generally be arranged as follows:

Flange edge to flange edge or to other components, e.g. building edges and channels, wall connections, not less than 150 mm for non-pressing water and not less than 300 mm for pressing water.

For expansion joints, distances of at least 300 mm must be maintained for non-pressing water and at least 500 mm for pressing water, unless a greater distance is required for processing reasons.

Transport and storage:

- The Curaflex Nova® KFR must be stored correctly and protected from damage. Care must be taken to protect the pipe sleeve from sunlight and UV rays.

Installation conditions

- If the pipe sleeve needs to be cut to size on site, the following instructions must be observed.
- The bonding flange must be clean, free of dust and grease. Distances for flange constructions in accordance with DIN 18195/ DIN 18533 must generally be arranged as follows:
Flange edge to flange edge or to other components, e.g. building edges and channels, wall connections, not less than 150 mm for non-pressing water and not less than 300 mm for pressing water. For expansion joints, distances of at least 300 mm must be maintained for non-pressing water and at least 500 mm for pressing water, unless a greater distance is required for processing reasons.

Tools:

- 1 Handheld hammer when using formwork holders
- 1 Compactor (e.g. internal vibrator)
- 1 Manual or slow-running saw with dust collector (only for cutting components to size)

Equipment:

- Tie wire and pliers for securing to reinforcement steel
- Dust mask conforming to EN 149: 2001 FFP 12360 (only for cutting components to size)
- Cleaning cloths

Scope of delivery

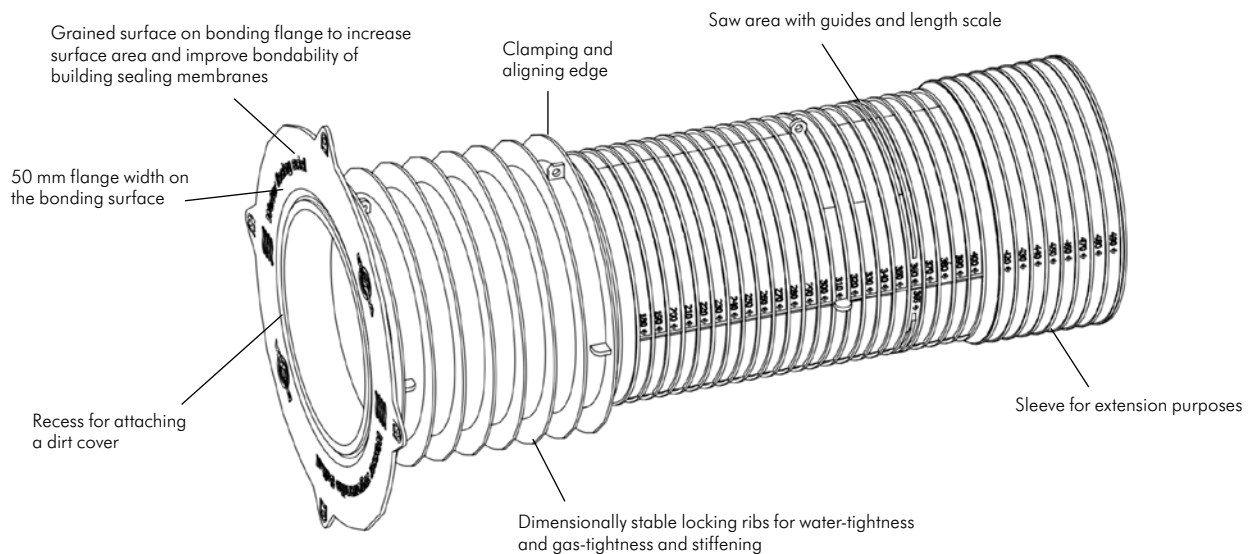
- 1 piece of pipe sleeve
- 3 x sealing plugs for a design length of 500 mm)
- Installation notes

Accessories (optional)

Gasket insert: Curaflex® or Curaflex Nova® or HKD DOMO

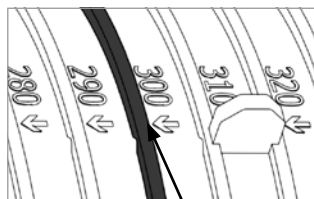
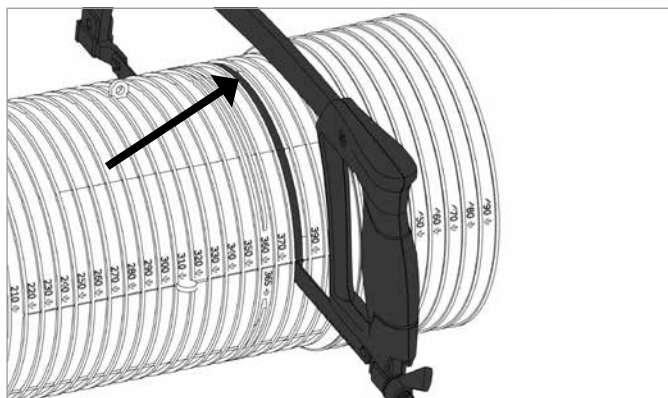
Further accessories available upon request.

Curaflex Nova® KFR



Processing instructions

Curaflex Nova® KFR cut to length



"Saw marking"

DOYMA supplies the Curaflex Nova® KFR in lengths of 300 mm and 500 mm. The length of the pipe sleeve can be adjusted on site according to the required component thickness. The length can be adjusted using the saw markings (length scale).

Where possible, process the pipe sleeve outdoors or in well-ventilated rooms.

- Only use hand-operated or slow-running equipment!
- Dust protection mask conforming to EN 149: 2001 FFP 12360.

Installation steps

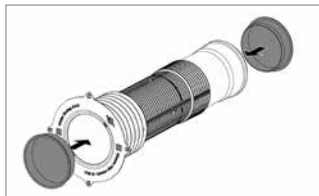
Extend Curaflex Nova® KFR for wall thicknesses greater than 500 mm

1 Curaflex Nova® KFR



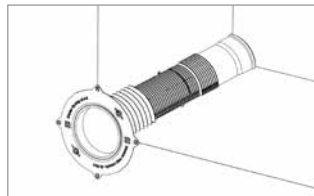
Curaflex Nova® KFR extended with KG pipe outer diameter 110 mm, outer diameter 160 mm or outer diameter 225 mm.

2 Curaflex Nova® KFR



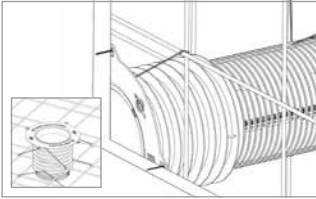
Push KG pipe into pipe sleeve as far as it will go.

3 Curaflex Nova® KFR



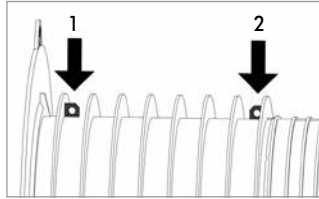
Embedded in concrete.

1 Curaflex Nova® KFR



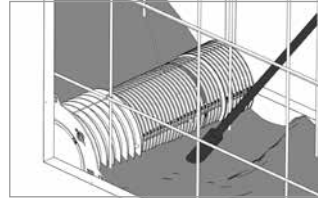
Position the pipe sleeve in the formwork and fasten to the 4 tabs. Fig. right wall installation and Fig. left floor panel/ceiling installation. Always align the pipe sleeve with the flange side facing the water.

2 Curaflex Nova® KFR



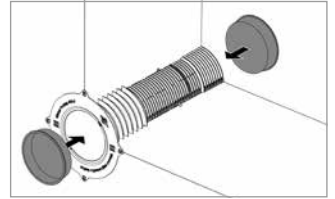
The pipe sleeve can also be attached to the reinforcement using fastening eyes 1 and 2.

3 Curaflex Nova® KFR



Compact the concrete around the pipe sleeve well.

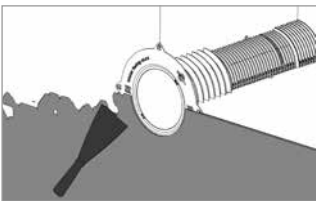
4 Curaflex Nova® KFR



Protect the pipe sleeve from soiling with the supplied sealing plugs during the shell construction phase.

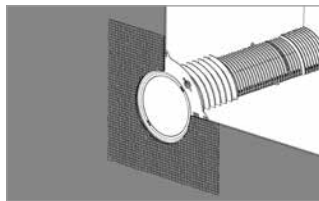
Curaflex Nova® KFR for thick coatings

1 Curaflex Nova® KFR



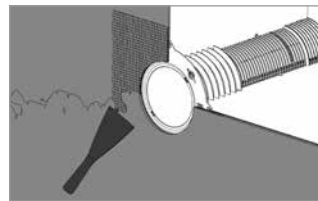
Apply the first layer of PMBC/KMB (for more information, see DIN 18195/DIN 18533) to the wall and bonding flange. In doing so, observe the manufacturer's guidelines for processing the PMBC/KMB!

2 Curaflex Nova® KFR



Gently press the fleece interlining into the thick coating.

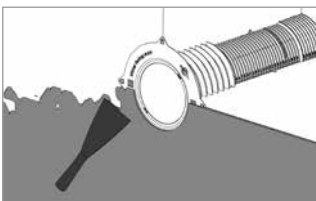
3 Curaflex Nova® KFR



Apply the second layer of PMBC/KMB. In doing so, observe the manufacturer's guidelines for processing the PMBC/KMB!

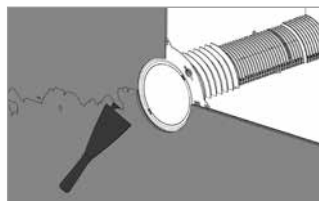
Curaflex Nova® KFR for sealing slurries (MDS)

1 Curaflex Nova® KFR



Apply the first layer of MDS (for more information, see DIN 18195/DIN 18533) to the wall and bonding flange. In doing so, observe the manufacturer's guidelines for processing the MDS!

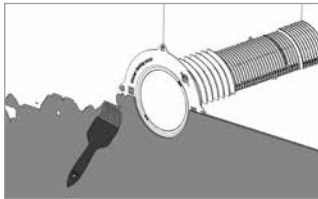
2 Curaflex Nova® KFR



Apply the second layer of MDS (for more information, see DIN 18195/DIN 18533) to the wall and bonding flange. In doing so, observe the manufacturer's guidelines for processing the MDS!

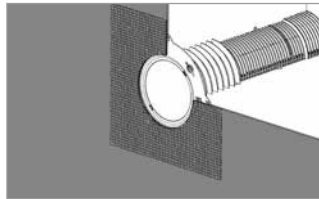
Curaflex Nova® KFR for liquid-applied plastics (FLK)

1 Curaflex Nova® KFR



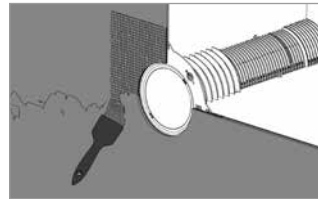
Apply the first layer of FLK (for more information, see DIN 18195/DIN 18533) to the wall and bonding flange. In doing so, observe the manufacturer's guidelines for processing the FLK!

2 Curaflex Nova® KFR



Work in the interlining belonging to the FLK system on site according to the specifications of the FLK manufacturer.

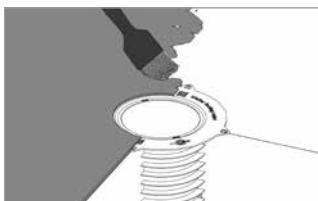
3 Curaflex Nova® KFR



Apply the second layer of FLK (for more information, see DIN 18195/DIN 18533) to the wall and bonding flange. In doing so, observe the manufacturer's guidelines for processing the FLK!

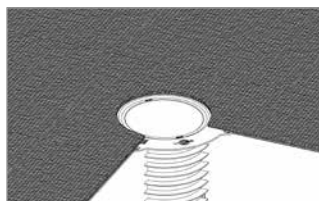
Curaflex Nova® floor panel installation

1 Curaflex Nova® KFR



Apply the first layer of FLK (for more information, see DIN 18195/DIN 18533) to the wall and bonding flange. In doing so, observe the manufacturer's guidelines for processing the FLK!

2 Curaflex Nova® KFR



Work in the interlining belonging to the FLK system on site according to the specifications of the FLK manufacturer.

3 Curaflex Nova® KFR



Apply the second layer of FLK (for more information, see DIN 18195/DIN 18533) to the wall and bonding flange. In doing so, observe the manufacturer's guidelines for processing the FLK!

Note:

Use and processing must be coordinated and carried out with the manufacturers of the respective sealing systems.

DOYMA products are continuously being further developed. Technical changes will be performed without prior notice.
25 year warranty on all DOYMA products. **More information at www.doyma.com**

DOYMA GmbH & Co

SEALING SYSTEMS

FIRE PROTECTION SYSTEMS

Industriestr. 43-57
28876 Oytten

Phone: 0 42 07/91 66-300
Fax: 0 42 07/91 66-199

www.doyma.com
info@doyma.de

25
years
guarantee

