



Curaflex Nova[®] Senso

- NON-PRESSING WATER
- PRESSING WATER

- Sealing of penetrations
- Use in **on-site pipe sleeve** or **waterproof concrete core bore** (white tank)
- Ideal for **flexible pipes**



PRODUCT ADVANTAGES

- With ITL system for optimal contact pressure – can also be installed with a cordless screwdriver
- with Environmental Product Declaration (EPD)
- With STS for the gentle sealing, thus ideal for flexible pre-insulated plastic pipes and flexible cable protection pipe
- Permanently sealed – no need to re-tension later (maintenance-free)
- Greater sealing performance of the gasket insert thanks to DOYMA-Grip

TECHNICAL DETAILS

- Certified under FHRK test regulation GE 101 in DN 200 without radial load as per 4.3.2 (no. G 30 322-2-8) - FHRK 45 D10
- Gas and water-tight
- Radon-tight – according to FHRK information sheet MB101 meets the requirements for radon precautionary areas
- Bending of medium pipes up to 8° is possible
- 45 mm sealing width

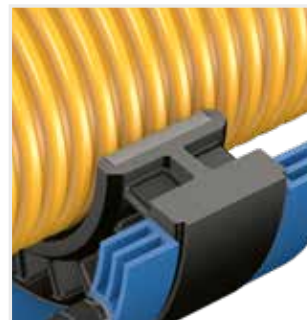
THE GASKET INSERT CONSISTS OF:

- Blue frame rings made of high-performance plastic
- Elastomer sealing ring, 45 mm wide, made of EPDM (DOYMA-Grip), with butyl insert
- ITL nuts
- A4 stainless steel screws

ACCESSORIES (OPTIONAL)*

- Aquagard core bore sealant
- Fixing tabs

* see corresponding section

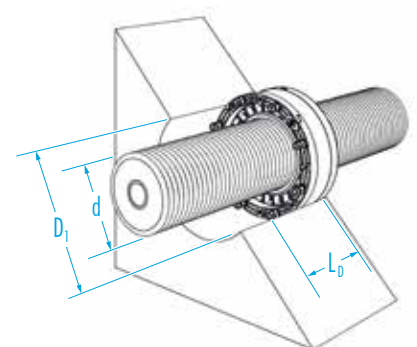


Before the gasket insert is tightened.



Curaflex Nova[®] Senso is tightened.

Simply scan and get detailed information!



Curaflex Nova® Senso

Inner diameter of pipe sleeve / core bore D _i [DN in mm]	Outer diameter of pipe / cable d [mm]	Article number
150 (149 – 153)	74 – 76	1 84 0 075 150 4 0
	89 – 91	1 84 0 090 150 4 0
	109 – 111	1 84 0 110 150 4 0
200 (199 – 203)	109 – 111	1 84 0 110 200 4 0
	124 – 126	1 84 0 125 200 4 0
	139 – 141	1 84 0 140 200 4 0
	159 – 161	1 84 0 160 200 4 0
250 (249 – 253)	159 – 161	1 84 0 160 250 4 0
	174 – 176	1 84 0 175 250 4 0
	181 – 183	1 84 0 182 250 4 0
	199 – 201	1 84 0 200 250 4 0

L₀ (max. design length) [mm]: 105